

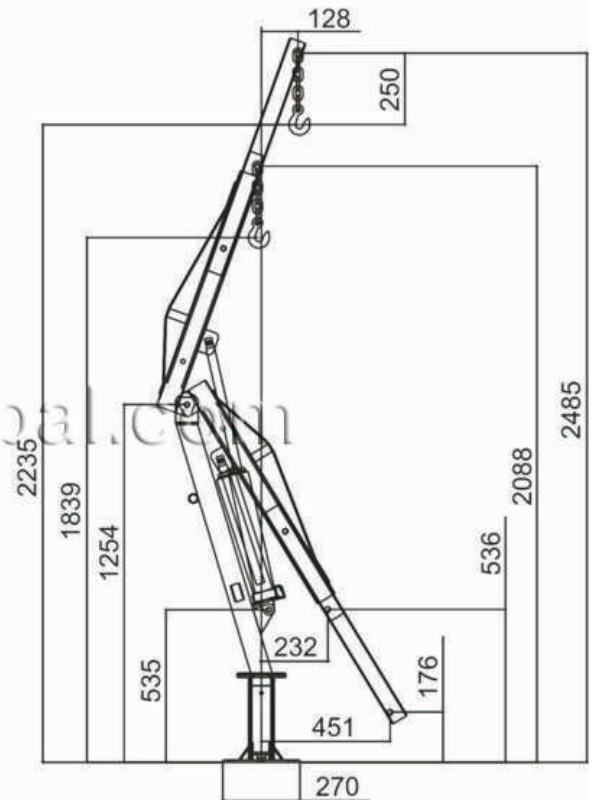
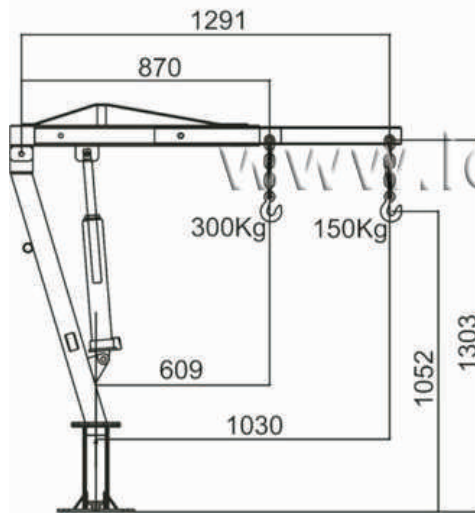
SWIVEL CRANE



www.lokpal.com
Ideal for installing next to machine tools etc. for loading & unloading jobs from machines

360°

**LIFTING CRANE
(SWIVEL CRANE)**
SP 02301
Cap.200 Kg



Features

Ideal for installing next to machine tools etc. for loading & unloading jobs from machines.

LOKPAL INDUSTRIES

A-6, Sector-3, Noida-201301, U.P., India | Tel.: +91-120-3065372 / 75

Website: www.lokpal.com | E-mail: info@lokpal.com