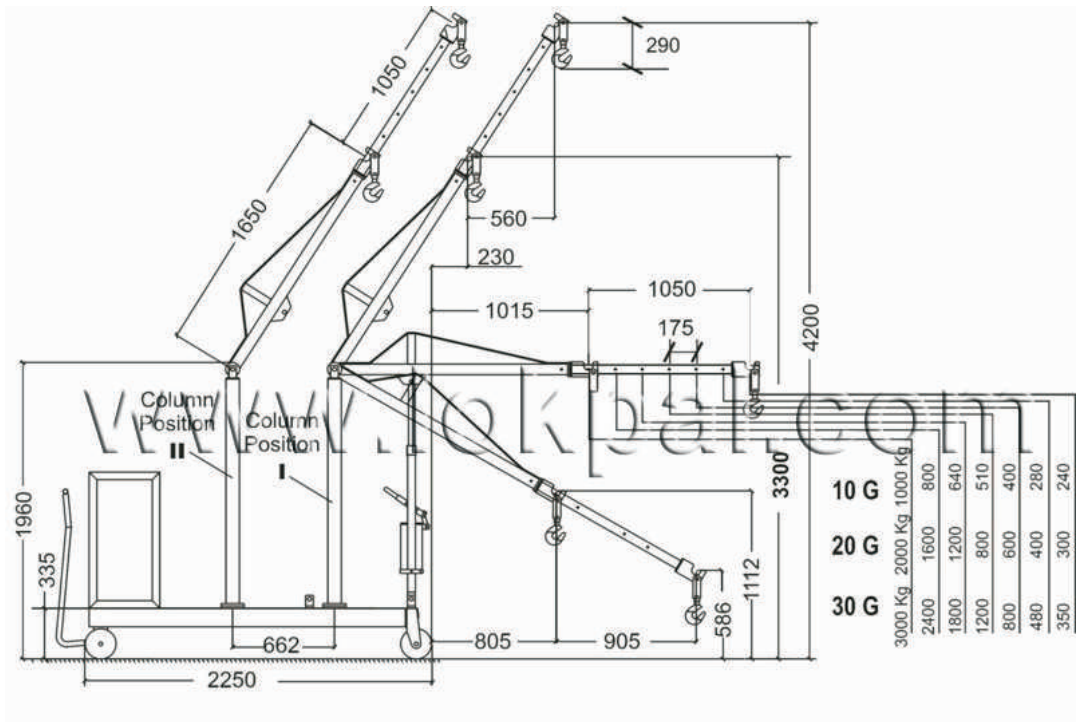


HYDROLIC FLOOR CRANE G-TYPE



Features

All cranes available in electric version also AC 3 Phase (Lifting operation).

G-Models offer a larger clear space for lifting ahead of the wheels & can be used effectively in areas in accessible to the (U) Frame type & in preferred for lifting of larger, outward & unsymmetrical loads.

LOKPAL INDUSTRIES

A-6, Sector-3, Noida-201301, U.P., India | Tel.: +91-120-3065372 / 75

Website: www.lokpal.com | E-mail: info@lokpal.com